

Options

Multi-cording Device

- Due to the Digitally Controlled Presser Foot, up to six different colors/types of cord can be utilized. This combined with regular embroidery provides endless possibilities for expression.



Frames

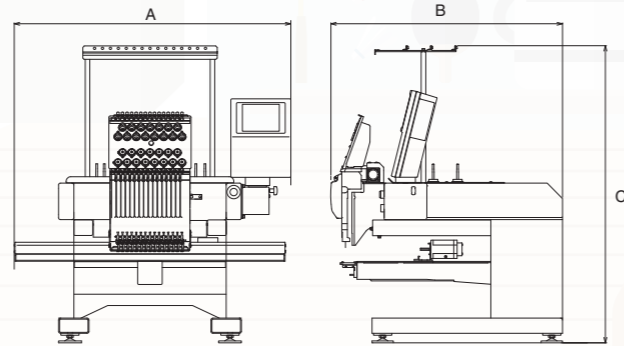


▲Tubular Frame(Standard) ▲Wide Cap Frame ▲Border Frame ▲Sock Frame ▲Air type Clamp Frame

Specifications

Model	Needles			Embroidery Space (DxW) mm				Width (mm) :A	Depth (mm) :B	Height (mm) :C
	6	12	15	Border Frame	Wide Cap Frame	Semi-Wide Cap Frame	Tubular Frame			
TMBR-SC	○	○	○	360×500	75×360	83×180	360×500	870	765	965

Factory options	Position Marker, LED Lamp, Air Type Clamp Frame, Air Type Pocket Frame
Options	Multi-cording Device, Emb. Lamé Attachment, Stand Tray, Stand, Cap Frame, Pocket Frame, Snarl-preventive Attachment
Speed	Max. 1,200rpm
Electricity	Single-phase 100-120V, 200-240V, 50Hz/60Hz
Power consumption	160W
Weight	95kg



Seller

Tajima Industries Ltd.

19-22, Shirakabe 3-chome, Higashi-ku Nagoya 461-0011 JAPAN
TEL. +81-52-932-3444, 3445 FAX. +81-52-932-2457, 3449



<http://www.tajima.com>



<https://www.facebook.com/TajimaGroup>

Manufacturer

Tokai Industrial Sewing Machine Co.,Ltd.

*The practical embroidery space and the rotational speed vary depending on embroidery product, machine model, and operating conditions.
*No registered trademark or design of the products contained in this catalog may be used without prior permission.

1603A

Electronic Single-Head Automatic Embroidery Machine

TMBR - SC SERIES



Fashioning your Future Tajima always leads, never follows

